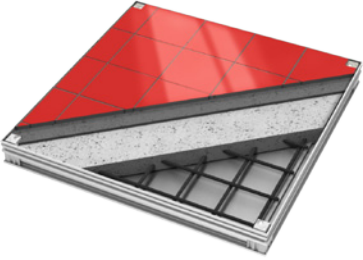
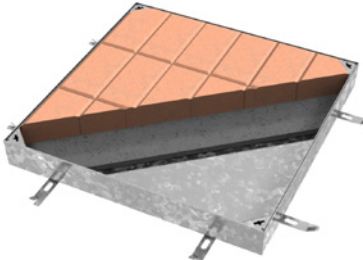
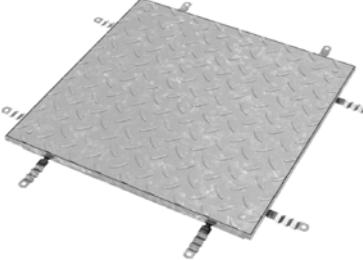
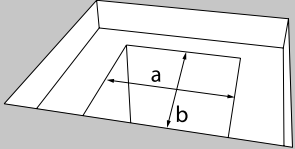


**Contacts**







ACO contact person		Customer contact	
Name		Name	
Company		Company	
Phone		Phone	
E-mail		E-mail	
Date		Date	
Project		Project	

**Product specification**


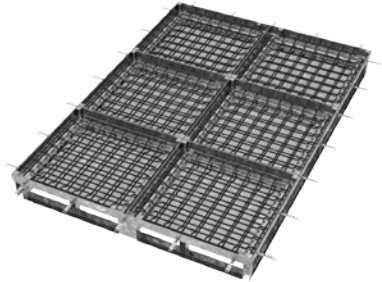

Material selection			
UNIFACE <input type="checkbox"/>	PAVING <input type="checkbox"/>	SOLID <input type="checkbox"/>	
			
Thickness of tiles (up to 15mm)	Pavement up to 80 mm <input type="checkbox"/>	Checker plate	
	Pavement up to 120 mm <input type="checkbox"/>		

Clear opening: a x b		
a =		
b =		

**ACO Access Cover**  
**Product specification sheet**

Load class (EN 1253-4 / EN 124)					
					
K3	L15 / A15	R50	M125 / B125	C250	D400
<input type="checkbox"/>	<input type="checkbox"/>	<input type="checkbox"/>	<input type="checkbox"/>	<input type="checkbox"/>	<input type="checkbox"/>

Material	
Stainless steel (1.4301, AISI304, V2A)	<input type="checkbox"/>
Stainless steel (1.4404, AISI316L, V4A)	<input type="checkbox"/>
Galvanized steel (1.0037, St37)	<input type="checkbox"/>
Aluminium alloy (up to M125/B125 only)	<input type="checkbox"/>

Design option					
Single part <input type="checkbox"/>		Multi part <input type="checkbox"/>		Opening assistance (not for AL) <input type="checkbox"/>	
					
		Number of parts (if requested)		For all stainless steel covers we are using gas springs from 1.4301	
Number of pieces		Number of pieces		Number of pieces	

**Special requirements (for example: without gas springs, FAB lock, fire protection plate etc.)?**

---

**Attachment option**

In case of other requests such as position of hingers, stairs etc. please attach a simple sketch as a second attachment to your e-mail request.

Sketch drawing attached to e-mail:  YES  NO