

Order

Price enquiry

**ACO. creating
the future of drainage**



ACO ShowerDrain E⁺ - individual configuration

(with integrated diffusion vents for secondary drainage, flange with factory bonded membrane)

If you require a quotation, please fill in this two-page configuration, print and send to the following fax number or print as PDF file and send to the following email address:

Sales representative: _____

Date: _____

Object (no., name, location): _____

**ACO Haustechnik
Intercompany Business
Email: icb-haustechnik@aco.com**

Installer: _____

Dealer/contact partner: _____

Street: _____ City: _____

Handling code/document no.: _____

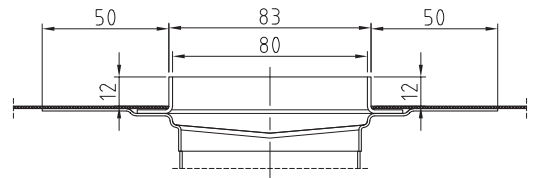
Tel.: _____ Email: _____

Tel.: _____ Email: _____

1. Height of the tile frame (H) (indications installation height)

for tiles
(Standard frame height H = 12 mm)

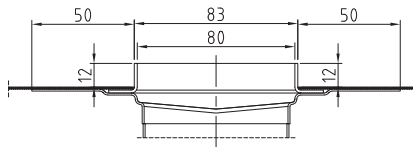
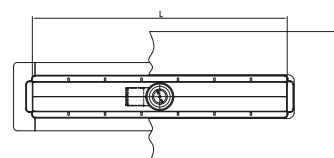
for natural stone with frame height H = mm
(max. H = 35 mm)



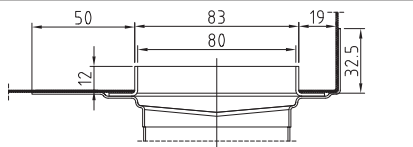
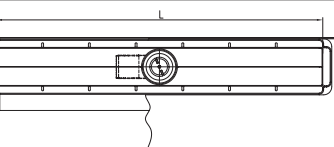
2. Socket inclination gully bodies (height indications apply to standard frame height H = 12 mm)

<input type="radio"/>		<p>Vertical outlet (90° inclination) Water seal = 50 mm, ND 50 Installation height H_{UFL}: 15 - 140 mm (Unfinished Floor Level)</p>	
<input type="radio"/>		<p>Horizontal outlet (1,5° inclination) Water seal = 50 mm, ND 50 Installation height H_{UFL}: 92 - 140 mm (Unfinished Floor Level)</p>	
<input type="radio"/>		<p>Horizontal outlet (1,5° inclination) Water seal = 25 mm, ND 40/50 Installation height H_{UFL}: 66 - 140 mm (Unfinished Floor Level)</p>	

3a. Room installation (min. length L = 400 mm, max. length L = 1500 mm)

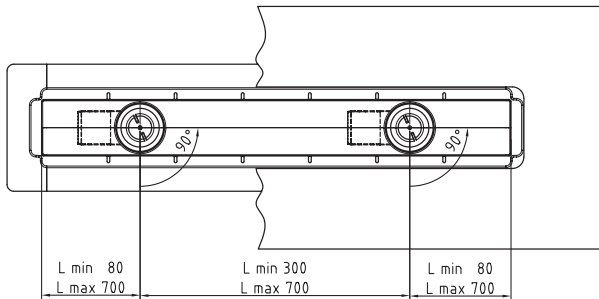
Profile 		L = mm Surrounding flange, factory bonded membrane
---	--	---

3b. Wall installation (min. length L = 400 mm, max. length L = 1500 mm)

Profile 		L = mm Wall flange, factory bonded membrane
---	--	--

4. Number and position of drain bodies (max. length = 1500 mm, standard width = 84 mm)

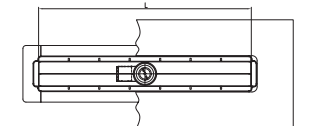
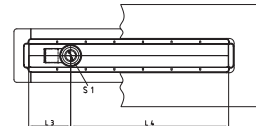
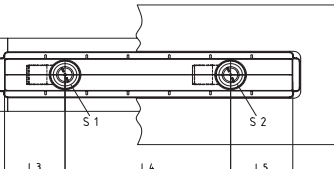
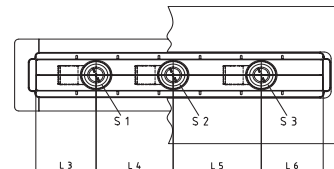
Min./max. length indications, also applies to vertical design:






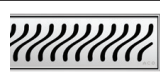
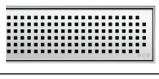
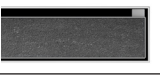

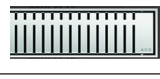


For drain values as per EN 1253-1, the max. flow distance of water may NOT exceed 700 mm.

The socket position indication is made anticlockwise.

With rear wall edging, NO socket outlet possible in wall edging direction.

○	 <p>1 outlet, centrally</p>	S1 = °	
○	 <p>1 outlet, eccentric</p>	L3 = mm L4 = mm S1 = °	
○	 <p>2 outlets</p>	L3 = mm L4 = mm L5 = mm S1 = ° S2 = °	
○	 <p>3 outlets</p>	L3 = mm L4 = mm L5 = mm L6 = mm S1 = ° S2 = ° S3 = °	

5. Design gratings (depending on overall length, two-part gratings are possible)

○	Wave		○	Mix		○	Twist*		○	Flag	
○	Quadrato		○	Floor*		○	Stripe		○	Piano	
○	Tile*		○	Signature							

If a different frame height (refer to item 1) is selected, the chosen stainless steel design grating is adjusted in its height automatically, except for Floor, Twist and Stripe.

*capable of tiling, standard = 10 mm

Signature on design grating (except Tile):