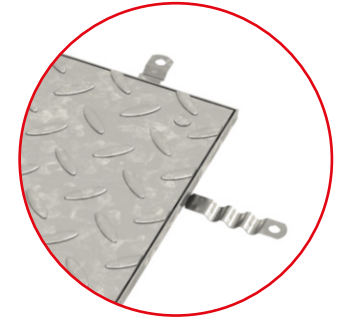
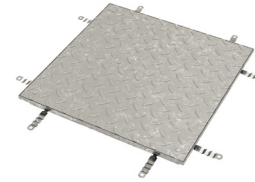


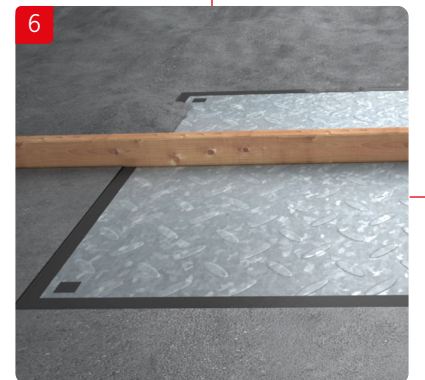
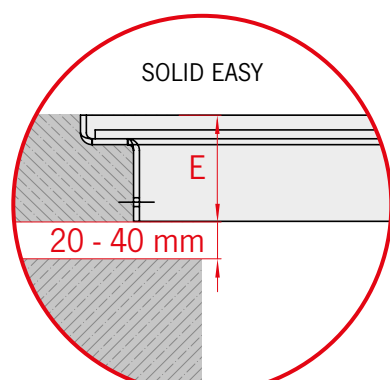
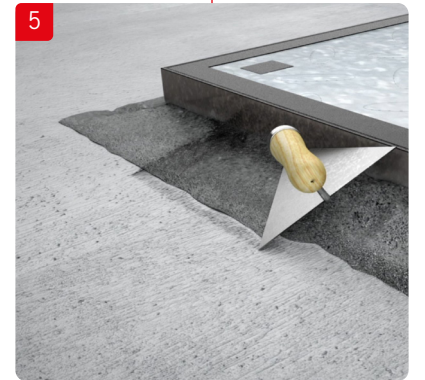
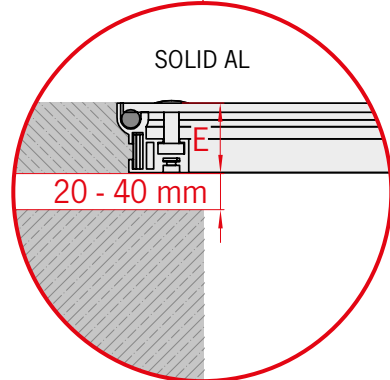
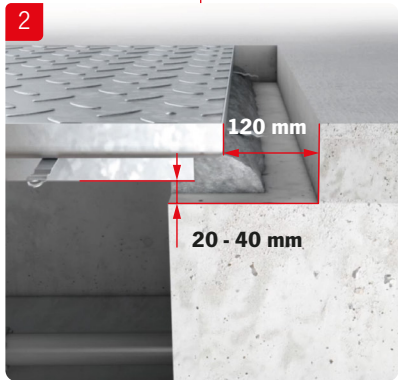
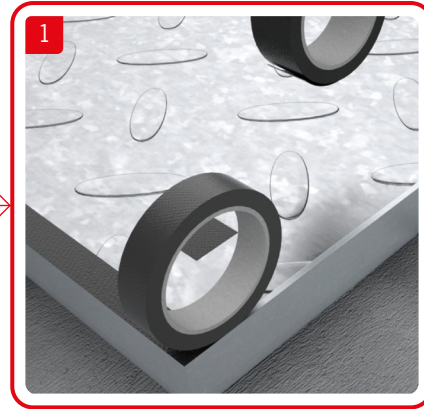
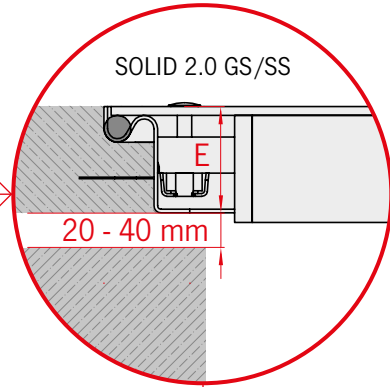
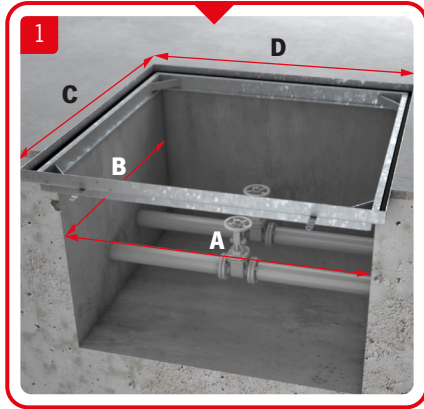
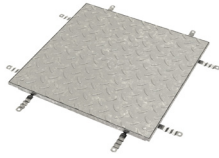
## **Installation manual**

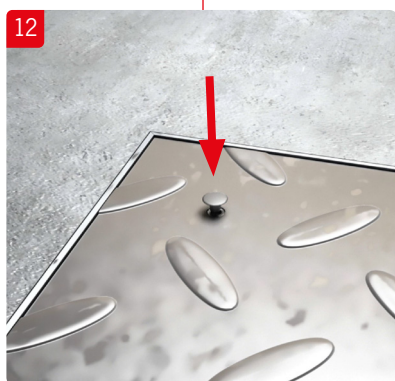
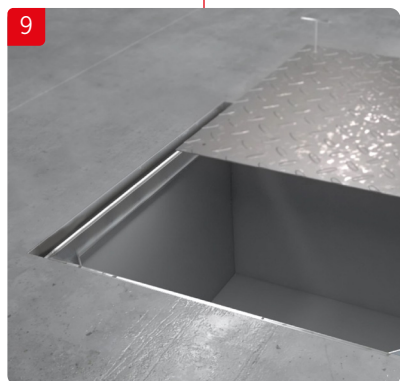
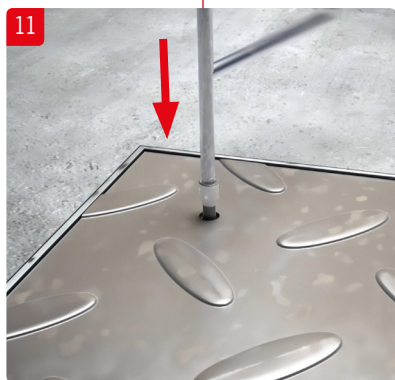
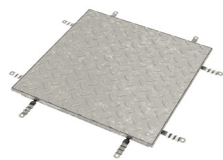
*ACO Access Covers - SOLID/EASY*



- |   |   |
|---|---|
| <b>ENG</b> Installation Manual<br>ACO Access Cover          | <b>EST</b> Paigaldusjuhend                                    |
| <b>GER</b> Installationsanleitung<br>ACO Schachtabdeckungen | <b>LAV</b> Uzstādīšanas instrukcija<br>ACO Tehnisko lūku vāki |
| <b>FRA</b> Instructions d'installation                      | <b>LIT</b> Montavimo instrukcija<br>ACO apžiūros liukai       |
| <b>ESP</b> Manual De Instalación<br>ACO Tapas de registro   | <b>POL</b> Instrukcja montażu                                 |
| <b>POR</b> Manual de Instalação                             | <b>BUL</b> Инструкции за инсталация                           |
| <b>ITA</b> Manuale d'installazione<br>ACO Access Cover      | <b>HUN</b> Beépítési útmutató                                 |
| <b>NLD</b> Installatiehandleiding<br>ACO Toegangsluiken     | <b>RUM</b> Instrucțiuni de instalare                          |
| <b>CZE</b> Instalační manuál                                | <b>HRV</b> Upute za ugradnju                                  |
| <b>RUS</b> Инструкция По Установке                          | <b>SLV</b> Navodila za vgradnjo                               |
| <b>SWE</b> Installationsanvisning                           | <b>SRP</b> Preporuka za ugradnju                              |
| <b>NOR</b> Installasjons Manual                             | <b>TUR</b> ACO Müdahale Kapakları                             |
| <b>FIN</b> Asennusohje                                      |   |
| <b>DAN</b> Installationsvejledning                          |   |







**ACO. creating the future of drainage**

[www.aco-accesscovers.com](http://www.aco-accesscovers.com)



**NM12381** ACO Access covers - SOLID/EASY Manual/EN/Q4/21